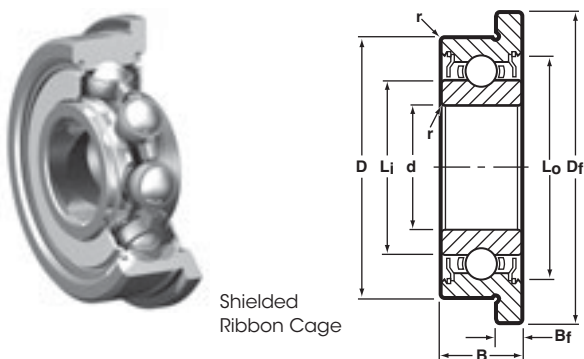
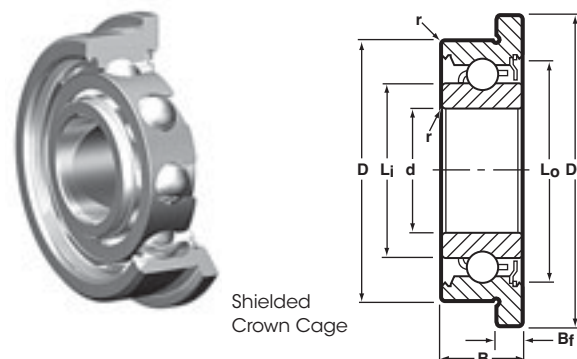


Radial, Shielded, Flanged



Shielded Ribbon Cage



Shielded Crown Cage

BASIC P/N	CAGE TYPE *		BORE d		O.D. D		WIDTH B 1 or 2 SHIELDS		FLANGE DIA. D _f	FLANGE WIDTH B _f	LAND DIAMETER (REFERENCE)		FILLET RADIUS r	BALL COMPLEMENT		LOAD RATINGS** LB.		BRG. WT. GMS. ▼
	RIBBON	CROWN	INCH	(mm) ◊	INCH	(mm) ◊	INCH	(mm) ◊			L _i	L _o		NO. Z	SIZE D _b	DYN. C	STATIC C ₀	
SSRIF-2 1/2ZZ		H	.0469	1.191	.1562	3.967	.0937	2.380	.203	.031	.081	.134	.003	6	1/32	16	5	.19
SSRIF-3ZZ		H	.0550	1.397	.1875	4.763	.1094	2.779	.234	.031	.093	.167	.003	5	3/64	28	10	.25
SSRIF-4ZZ		H	.0781	1.984	.2500	6.350	.1406	3.571	.296	.031	.122	.205	.003	6	3/64	35	12	.60
SSRIF-3332ZZ		H	.0937	2.380	.1875	4.763	.0937	2.380	.234	.031	.118	.167	.003	7	1/32	19	6	.14
SSRIF-3332ZZ	R		.0937	2.380	.1875	4.763	.0937	2.380	.234	.031	.118	.167	.003	8	1/32	21	8	.14
SSRIF-5ZZ	R	H	.0937	2.380	.3125	7.938	.1406	3.571	.359	.031	.173	.282	.003	6	1/16	60	22	.90
SSRIF-418ZZ		H	.1250	3.175	.2500	6.350	.1094	2.779	.296	.031	.161	.228	.003	7	.0394	30	11	.40
SSRIF-418ZZ	R		.1250	3.175	.2500	6.350	.1094	2.779	.296	.031	.161	.228	.003	8	.0394	33	12	.40
SSRIF-518ZZ	R	H	.1250	3.175	.3125	7.938	.1406	3.571	.359	.031	.173	.282	.003	6	1/16	60	22	.75
SSRIF-618ZZ	R	H	.1250	3.175	.3750	9.525	.1406	3.571	.422	.031	.173	.282	.005	6	1/16	60	22	1.40
SSRF-2ZZ	R	H	.1250	3.175	.3750	9.525	.1562	3.967	.440	.030	.200	.321	.012	7	1/16	66	26	1.40
SSRIF-5532ZZ		H	.1562	3.967	.3125	7.938	.1250	3.175	.359	.036	.221	.285	.003	7	3/64	41	15	.75
SSRIF-5532ZZ	R		.1562	3.967	.3125	7.938	.1250	3.175	.359	.036	.221	.285	.003	8	3/64	45	17	.75
SSRIF-5632ZZ		H	.1875	4.763	.3125	7.938	.1250	3.175	.359	.036	.221	.287	.003	7	3/64	41	15	.60
SSRIF-5632ZZ	R		.1875	4.763	.3125	7.938	.1250	3.175	.359	.036	.221	.287	.003	8	3/64	45	17	.60
SSRIF-6632ZZ	R	H	.1875	4.763	.3750	9.525	.1250	3.175	.422	.031	.235	.341	.003	8	1/16	76	31	.95
SSRF-3ZZ	R	H	.1875	4.763	.5000	12.700	.1960	4.978	.565	.042	.276	.435	.012	7	3/32	140	59	2.90
SSRIF-614ZZ		H	.2500	6.350	.3750	9.525	.1250	3.175	.422	.036	.285	.348	.003	13	.0394	43	21	.75
SSRIF-814ZZ	R	H	.2500	6.350	.5000	12.700	.1875	4.763	.547	.045	.330	.455	.005	10	1/16	88	40	2.20
SSRF-4ZZ	R	H	.2500	6.350	.6250	15.875	.1960	4.978	.690	.042	.364	.544	.012	8	3/32	159	70	4.60
SSRIF-8516ZZ	R		.3125	7.938	.5000	12.700	.1562	3.967	.547	.031	.362	.460	.005	11	1/16	93	43	1.80
SSRIF-1438ZZ	R		.3750	9.525	.8750	22.225	.2812	7.142	.969	.062	.474	.783	.016	7	5/32	569	273	12.00
SSRIF-1812ZZ	R		.5000	12.700	1.1250	28.575	.3125	7.938	1.225	.062	.628	.965	.016	9	5/32	684	344	22.00

Notes:

1. Inch to metric conversion—see page 68.
2. Basic part numbers shown above include code "SS" for AISI 440C stainless steel. If SAE 52100 chrome alloy steel is desired, delete "SS."
3. See page 63 for ABEC tolerances.
4. r=Maximum shaft or housing fillet radius that bearing corners will clear.
5. For single shield eliminate one "Z" from the basic part number.

- * "R" Ribbon or "H" Crown cages are available as indicated. Please consult with factory for machined cage availability.
- ◊ Metric dimensions are for reference only.
- ** Load ratings are based on ABMA Standard #12.
- ▼ Bearing weights are for reference only.