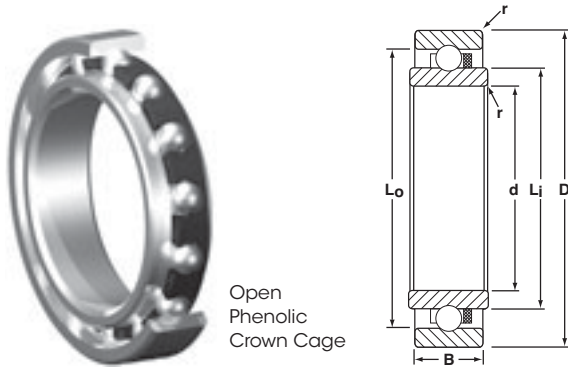
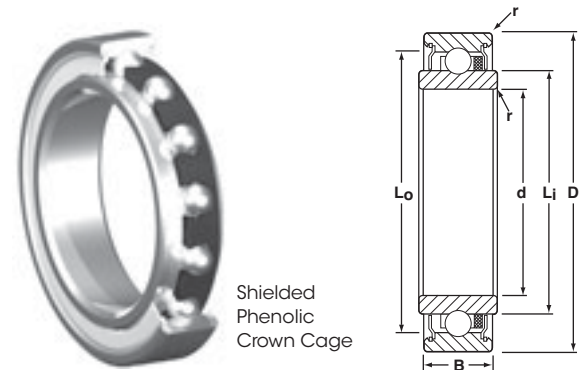


## Torque Tube, Extended Inner Ring



Open Phenolic Crown Cage



Shielded Phenolic Crown Cage

BASIC P/N	CAGE TYPE	BORE d		O.D. D		INNER WIDTH B <sub>i</sub>		OUTER WIDTH B <sub>o</sub>		LAND DIAMETER (REFERENCE)		FILLET RADIUS r	BALL COMPLEMENT		LOAD RATINGS** LB.		BRG. WT. GMS. ▼
		INCH	(mm) ◊	INCH	(mm) ◊	INCH	(mm) ◊	INCH	(mm) ◊	L <sub>i</sub>	L <sub>o</sub>		NO. Z	SIZE D <sub>b</sub>	DYN. C	STATIC C <sub>0</sub>	
SSRI-538EE	R	.6250	15.875	1.0625	26.988	.2812	7.142	.2500	6.350	.773	.933	.015	10	1/8	580	316	14.2
SSRI-538EE	KC	.6250	15.875	1.0625	26.988	.2812	7.142	.2500	6.350	.773	.933	.015	12	1/8	655	379	14.4
SSRI-539EE	R/KC	.7500	19.050	1.1875	30.162	.2812	7.142	.2500	6.350	.894	1.054	.015	12	1/8	645	391	15.0
SSRI-540EE	R/KC	.8750	22.225	1.3125	33.338	.2812	7.142	.2500	6.350	1.019	1.179	.015	14	1/8	705	467	16.0
SSRI-541EE	R/KC	1.0625	26.988	1.5000	38.100	.2812	7.142	.2500	6.350	1.210	1.370	.015	16	1/8	754	548	20.1
SSRI-541SD502EE	KC	1.0625	26.988	1.5000	38.100	.2812	7.142	.2500	6.350	1.210	1.370	.015	18	1/8	815	616	20.3
SSRI-542EE	R/KC	1.3125	33.338	1.7500	44.450	.2812	7.142	.2500	6.350	1.460	1.620	.015	18	1/8	780	632	22.6
SSRI-542SD513EE	KC	1.3125	33.338	1.7500	44.450	.2812	7.142	.2500	6.350	1.460	1.620	.015	20	1/8	837	702	22.8
SSRI-543EE	R	1.5625	39.688	2.0000	50.800	.2812	7.142	.2500	6.350	1.706	1.866	.015	22	1/8	859	785	26.8
SSRI-543EE	KC	1.5625	39.688	2.0000	50.800	.2812	7.142	.2500	6.350	1.706	1.866	.015	25	1/8	935	893	27.2
SSRI-544EE	KC	1.8125	46.038	2.2500	57.150	.2812	7.142	.2500	6.350	1.963	2.123	.015	29	1/8	998	1050	30.6
SSRI-545EE	KC	2.0625	52.388	2.6250	66.675	.2812	7.142	.2500	6.350	2.263	2.423	.015	32	1/8	1028	1172	50.0

### Notes:

1. Inch to metric conversion—see page 68.
2. Basic part numbers shown above include code "SS" for AISI 440C stainless steel. If SAE 52100 chrome alloy steel is desired, delete "SS."
3. See page 64 for ABEC 5T and 7T tolerances.
4. r=Maximum shaft or housing fillet radius that bearing corners will clear.
5. Angular contact configurations available (SSMDRI-, SSMERI-), please consult with factory.

- ◊ Metric dimensions are for reference only.
- \* \* Load ratings are based on ABMA Standard #12.
- ▼ Bearing weights are for reference only.