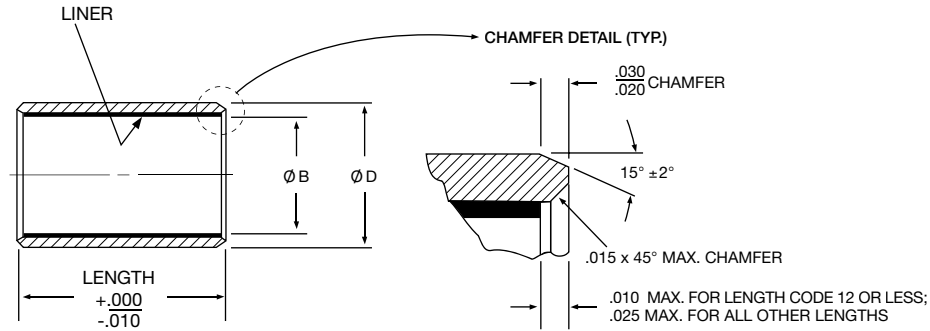


SLEEVE BEARINGS – Self-Lubricating

AS81934/1 Plain



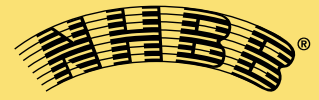
Part Number	(B) Bore Diameter	(D) Outside Diameter			Weight lbs./In (Ref)	
		Alum. Tol. +.0005/-0.0005 CRES Tol. +.0000/-0.0005			L = 1.000	
		Standard	1st Oversize	2nd Oversize	Alum.	CRES
	Inch				lb/in	lb/in
	+0.0000					
M81934/1	-0.0010					
AD04	.2512	.3760	.3860	.3960	.006	.016
AD05	.3140	.4386	.4486	.4586	.007	.019
AD06	.3765	.5012	.5112	.5212	.008	.022
AD07	.4390	.5638	.5738	.5838	.009	.025
AD08	.5015	.6265	.6365	.6465	.011	.028
AD09	.5640	.6892	.6992	.7092	.012	.031
AD10	.6265	.8142	.8242	.8342	.021	.056
AD11	.6890	.8767	.8867	.8967	.022	.060
AD12	.7515	.9393	.9493	.9593	.024	.065
AD14	.8765	1.0645	1.0745	1.0845	.028	.075
AD16	1.0015	1.1898	1.1998	1.2098	.031	.084
AD18	1.1265	1.3148	1.3248	1.3348	.035	.094
AD20	1.2515	1.4398	1.4498	1.4598	.038	.103
AD22	1.3765	1.5648	1.5748	1.5848	.041	.113
AD24	1.5015	1.7523	1.7623	1.7723	.062	.171
AD26	1.6265	1.8773	1.8873	1.8973	.067	.183
AD28	1.7515	2.0023	2.0123	2.0223	.071	.196
AD32	2.0015	2.2523	2.2623	2.2723	.081	.222

Notes:

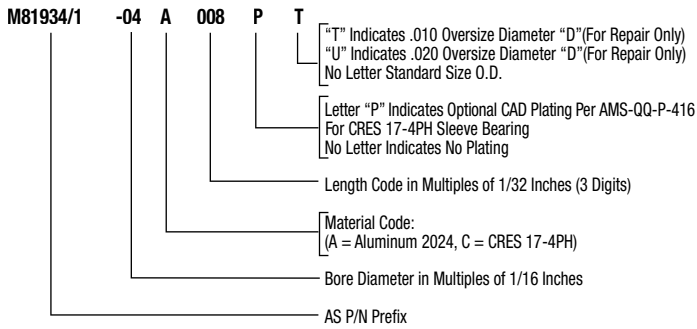
- Static Limit Load:
Alum., 50,000 psi X B(L - .10) = lbs.
CRES, 78,500 psi X B(L - .10) = lbs.
- Dynamic Capacity: 37,500 X B(L - .10) = lbs.
- Temperature: Operating temperature range -65° to 325°F.
- Concentricity tolerance between B and D diameters shall not exceed .003 FIM.
- Bearings listed in table are approved for procurement to AS81934 .

Materials

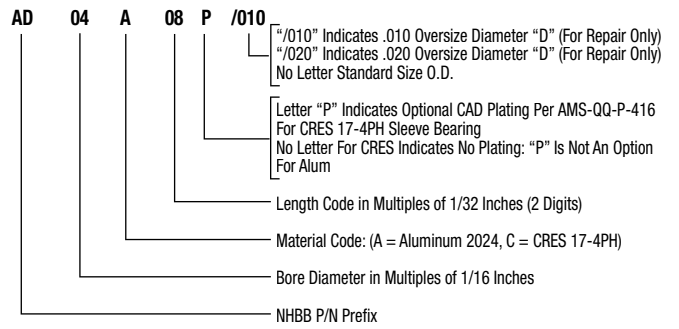
Material Code	Sleeve	Liner
A	Aluminum Alloy 2024-T851 or 2024-T8511 per AMS-QQ-A-225/6 or AMS-QQ-A-200/3.Finish Anodized per AMS-A-8625, Type I or II or Alodine per AMS-C-5541	PTFE/Fabric Bonded to Bore, No Lub. Required
C	CRES 17-4PH H.T. to Condition H-1150 per AMS-H-6875	



Aerospace Standard P/N



NHBB P/N



Length (Tolerance +.000, -.010)

Bore Code	5/32	3/16	7/32	1/4	9/32	5/16	11/32	3/8	7/16	1/2	9/16	5/8	11/16	3/4	7/8	1	1 1/8	1 1/4	1 3/8	1 1/2	1 5/8	1 3/4	1 7/8	2	2 1/8	2 1/4	2 3/8	2 1/2	2 3/4	3	
04	05	06	07	08	09	10	11	12	14																						
05	05	06	07	08	09	10	11	12	14	16	18																				
06	05	06	07	08	09	10	11	12	14	16	18	20	22																		
07	05	06	07	08	09	10	11	12	14	16	18	20	22	24	28																
08	05	06	07	08	09	10	11	12	14	16	18	20	22	24	28																
09	05	06	07	08	09	10	11	12	14	16	18	20	22	24	28	32	36														
10	05	06	07	08	09	10	11	12	14	16	18	20	22	24	28	32	36	40	44												
11				08	09	10	11	12	14	16	18	20	22	24	28	32	36	40	44	48	52										
12				08	09	10	11	12	14	16	18	20	22	24	28	32	36	40	44	48	52										
14				08	09	10	11	12	14	16	18	20	22	24	28	32	36	40	44	48	52										
16				08	09	10	11	12	14	16	18	20	22	24	28	32	36	40	44	48	52	56	60								
18					10	11	12	14	16	18	20	22	24	28	32	36	40	44	48	52	56	60									
20								12	14	16	18	20	22	24	28	32	36	40	44	48	52	56	60	64	68						
22								12	14	16	18	20	22	24	28	32	36	40	44	48	52	56	60	64	68						
24								12	14	16	18	20	22	24	28	32	36	40	44	48	52	56	60	64	68	72	76	80	88		
26										16	18	20	22	24	28	32	36	40	44	48	52	56	60	64	68	72	76	80	88	96	
28										16	18	20	22	24	28	32	36	40	44	48	52	56	60	64	68	72	76	80	88	96	
32										16	18	20	22	24	28	32	36	40	44	48	52	56	60	64	68	72	76	80	88	96	

Shaft and Housing Information

For optimum performance with lined sleeve bearings, considerable care must be exercised in the design of housings and shafts. For extreme applications involving dissimilar materials, elevated temperatures, or extreme loads, contact NHBB Applications Engineering for application recommendations. The adjacent table applies to normal conditions.

	Shaft	Housing
Diameter	B - .001 to -.002	D - .0006 to -.0011
Taper and Roundness	Not to exceed .0005	Not to exceed .0005
Finish	8 max. Polished or honed after grind	
Hardness	Rc50 min.	